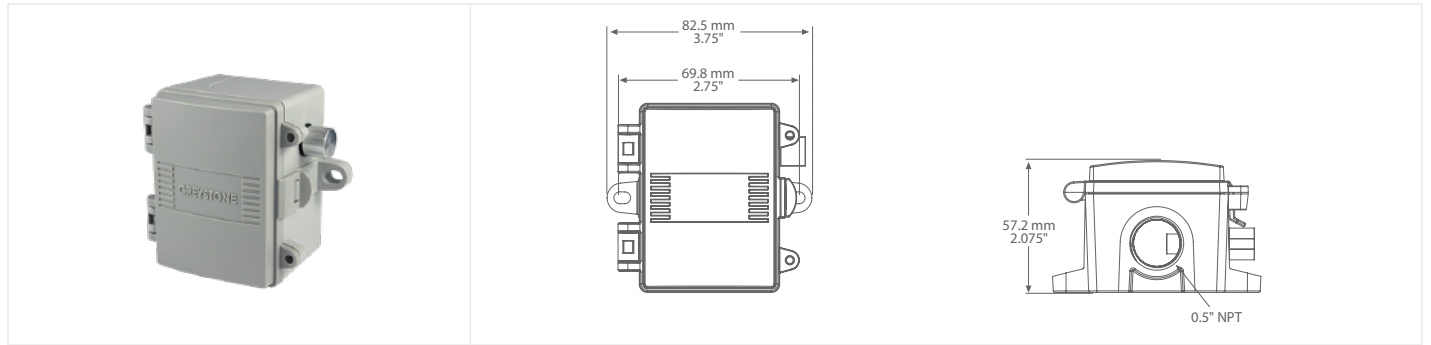




OUTSIDE TEMPERATURE TRANSMITTER



TXOS SERIES

PRODUCT DESCRIPTION

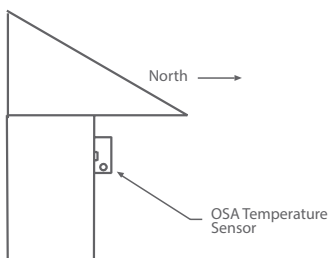
The single point outside temperature transmitter utilizes a precision platinum RTD sensor. All probes are constructed to provide excellent heat transfer, fast response and are potted to resist moisture penetration. It is provided in a weatherproof Polycarbonate enclosure. A transmitter that provides a high accuracy signal with excellent long term stability, low hysteresis and fast response is available with various ranges.

TYPICAL INSTALLATION

For complete installation and wiring details, please refer to the product installation instructions.

The outside temperature transmitter should be mounted on an outside north facing wall, under the eaves which will provide protection from direct sunlight.

The outside temperature sensor can be mounted directly to building's wall face using the provided mounting holes. There is one 0.85" hole for conduit connection.

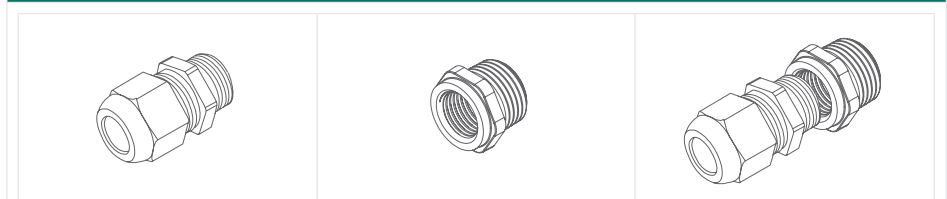


SPECIFICATIONS

SENSOR TYPE	1000 Ω platinum RTD
SENSOR ACCURACY	±0.3°C (±0.54°F) @ 0°C (32°F)
PROBE SENSING RANGE	-40 to 50°C (-40 to 122°F)
PROBE MATERIAL	Machined aluminum
WIRE MATERIAL	PVC insulated, parallel bonded, 22 AWG
OUTPUT SIGNAL	4-20 mA current loop, 0-5 Vdc, or 0-10 Vdc (factory configured)
TRANSMITTER ACCURACY	±0.1% of span, including linearity
OUTPUT DRIVE @ 24 VDC	Current: 600 mA maximum Voltage: 10 KΩ minimum
POWER SUPPLY	0-5 Vdc: 10-35 Vdc or 10-28 Vac 0-10 Vdc: 15-35 Vdc or 15-28 Vac 4-20 mA: 15-35 Vdc (loop-powered) or 22-28 Vac
CURRENT CONSUMPTION	Current: 20 mA Voltage: 5 mA
MAXIMUM CURRENT (VOLTAGE)	5 mA nominal
MAXIMUM OUTPUT (VOLTAGE)	Limited to <5.5 Vdc or 0-5 Vdc, <10.5 for 0-10 Vdc
INPUT VOLTAGE EFFECT	Negligible over specified operating range
PROTECTION CIRCUITRY	Reverse voltage protected and output limited
AMBIENT OPERATING RANGE	-40 to 50°C (-40 to 122°F), 5 to 95 %RH non-condensing
ENCLOSURE	A: Polycarbonate, UL94-V0, IP65 (NEMA 4X) E: Same as A, with thread adapter (1/2" NPT to M16) and cable gland fitting
TERMINATION	Screw terminal block (14 to 22 AWG)
APPROVALS	CE
COUNTRY OF ORIGIN	Canada

NOTE: This product is factory calibrated and any field adjustment will void the warranty.

ACCESSORIES - INCLUDED WITH E ENCLOSURE OPTION

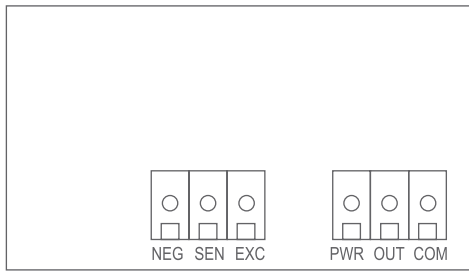


CABLE GLAND FITTING

THREAD ADAPTER 1/2" NPT TO M16



WIRING INFORMATION



TERMINAL	FUNCTION
PWR	Power Supply
OUT	Analog Output
COM	Common
NEG	Temperature Sensor Input
SEN	
EXC	

ORDERING

PRODUCT	TXOS	Outside Temperature Transmitter
ENCLOSURE	A E	Polycarbonate, weatherproof with hinged and gasketed cover Same as A, with thread adapter (1/2" NPT to M16) and cable gland fitting
SENSOR	12X	1000 Ω Platinum, IEC 751, 385 Alpha, thin film
OUTPUT	A D E	4-20mA 0-5 Vdc 0-10 Vdc
SCALED RANGE	001 002 006	0 to 35°C (32 to 95°F) 0 to 50°C (32 to 122°F) -50 to 50°C (-58 to 122°F)

PART NUMBER

TXOS

NOTE: Greystone Energy Systems, Inc. reserves the right to make design modifications without prior notice.